

Ref. No. 000761

2000/10

SFD21R-2~~5~~TE1

~~Sp~~ecification

SC-SFD 01 B

Drawing No.

ISA92945-1

ISA92384-1

ISA92946-1

ISA92385-2

ISA91234-1

ISA91235-1

FCI Japan K. K.

Electronics Division Engineering Section

Certified by



H. Takakura

Manager, Engineering Section

CAT. NO. & DIMENSIONS

(NOTE3)	NO. OF CONTACTS (n)	CAT. NO.	DIMENSIONS (NOTE2)			
			A ± 0.2	B ± 0.2	C ± 0.2	D ± 0.1
	4	SFD 4 R-2ST__	12.05	10.35	3.75	6.45
*	5	SFD 5 R-2ST__	13.30	11.60	5.00	7.70
	6	SFD 6 R-2ST__	14.55	12.85	6.25	8.95
*	7	SFD 7 R-2ST__	15.80	14.10	7.50	10.20
*	8	SFD 8 R-2ST__	17.05	15.35	8.75	11.45
*	9	SFD 9 R-2ST__	18.30	16.60	10.00	12.70
*	10	SFD 10 R-2ST__	19.55	17.85	11.25	13.95
*	11	SFD 11 R-2ST__	20.80	19.10	12.50	15.20
*	12	SFD 12 R-2ST__	22.05	20.35	13.75	16.45
*	13	SFD 13 R-2ST__	23.30	21.60	15.00	17.70
*	14	SFD 14 R-2ST__	24.55	22.85	16.25	18.95
*	15	SFD 15 R-2ST__	25.80	24.10	17.50	20.20
*	16	SFD 16 R-2ST__	27.05	25.35	18.75	21.45
*	17	SFD 17 R-2ST__	28.30	26.60	20.00	22.70
*	18	SFD 18 R-2ST__	29.55	27.85	21.25	23.95
*	19	SFD 19 R-2ST__	30.80	29.10	22.50	25.20
*	20	SFD 20R-2ST__	32.05	30.35	23.75	26.45
	21	SFD 21R-2ST__	33.30	31.60	25.00	27.70
*	22	SFD 22R-2ST__	34.55	32.85	26.25	28.95
*	23	SFD 23R-2ST__	35.80	34.10	27.50	30.20
*	24	SFD 24R-2ST__	37.05	35.35	28.75	31.45
*	25	SFD 25R-2ST__	38.30	36.60	30.00	32.70
	26	SFD 26R-2ST__	39.55	37.85	31.25	33.95
*	27	SFD 27R-2ST__	40.80	39.10	32.50	35.20
*	28	SFD 28R-2ST__	42.05	40.35	33.75	36.45
*	29	SFD 29R-2ST__	43.30	41.60	35.00	37.70
*	30	SFD 30R-2ST__	44.55	42.85	36.25	38.95

CAT. NO.

SFD (n) R - 2 ST \_\_

SERIES NAME

NO. OF CONTACTS

RIGHT ANGLE TYPE

FOR FPC/FFC, CONTACT DIRECTION


2. UPPER CONTACT TYPE

FOR AUTOMATIC MOUNTING (SMT)

PACKAGE STYLE

NOTES.

1. THIS PRODUCT IS THE CONNECTOR USED FOR FPC/FFC AND COPES WITH AUTOMATIC MOUNTING (SMT).
2. SEE PART DRAWINGS FOR DIMENSIONS A, B, C, D.
3. PLEASE CONSULT US IN CASE OF USING PARTS WITH \* MARK.

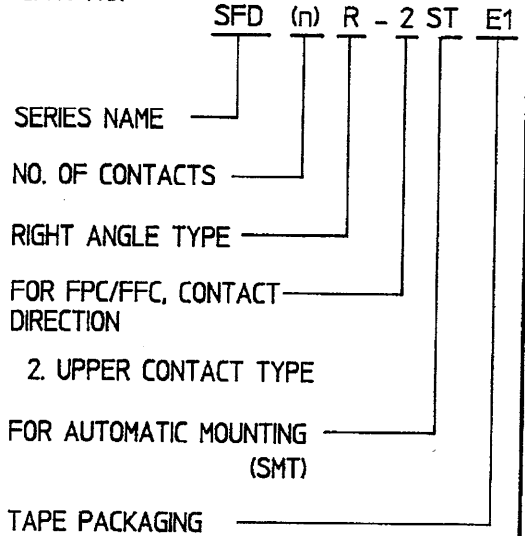
				SCALE	X	CAT NO. TABLE FOR SURELOK CONNECTOR	
				DIM. IN	mm	CAT. NO.	
1	'95 2-24	NO. OF CONTACTS ADDED.	4.9	DESIGNED		SFD__R-2ST__	
REV.	DATE	DESCRIPTION	CKD.	DRAWN	M. Oca	DRAWING NO.	REV.
MATERIAL				CHECKED	M. Horada	JSA 92945	1
				APPROVED	S. Ita		
				DATE	Aug. 16, 1994		



CAT. NO. & DIMENSIONS

(NOTE4)	NO. OF CONTACTS (n)	CAT. NO. (NOTE2)	DIMENSIONS (NOTE3)		
			E±.5	F±.03	G±.01
	4	SFD 4 R-2STE1	30.4	24	—
*	5	SFD 5 R-2STE1	30.4	24	—
	6	SFD 6 R-2STE1	30.4	24	—
*	7	SFD 7 R-2STE1	30.4	24	—
*	8	SFD 8 R-2STE1	30.4	24	—
*	9	SFD 9 R-2STE1	30.4	24	—
*	10	SFD 10 R-2STE1	38.4	32	28.4
*	11	SFD 11 R-2STE1	38.4	32	28.4
*	12	SFD 12 R-2STE1	38.4	32	28.4
*	13	SFD 13 R-2STE1	50.4	44	40.4
*	14	SFD 14 R-2STE1	50.4	44	40.4
*	15	SFD 15 R-2STE1	50.4	44	40.4
*	16	SFD 16 R-2STE1	50.4	44	40.4
*	17	SFD 17 R-2STE1	50.4	44	40.4
*	18	SFD 18 R-2STE1	50.4	44	40.4
*	19	SFD 19 R-2STE1	50.4	44	40.4
*	20	SFD 20R-2STE1	50.4	44	40.4
	21	SFD 21 R-2STE1	50.4	44	40.4
*	22	SFD 22R-2STE1	62.4	56	52.4
*	23	SFD 23R-2STE1	62.4	56	52.4
*	24	SFD 24R-2STE1	62.4	56	52.4
*	25	SFD 25R-2STE1	62.4	56	52.4
	26	SFD 26R-2STE1	62.4	56	52.4
*	27	SFD 27R-2STE1	62.4	56	52.4
*	28	SFD 28R-2STE1	62.4	56	52.4
*	29	SFD 29R-2STE1	62.4	56	52.4
*	30	SFD 30R-2STE1	62.4	56	52.4

CAT. NO.



NOTES.

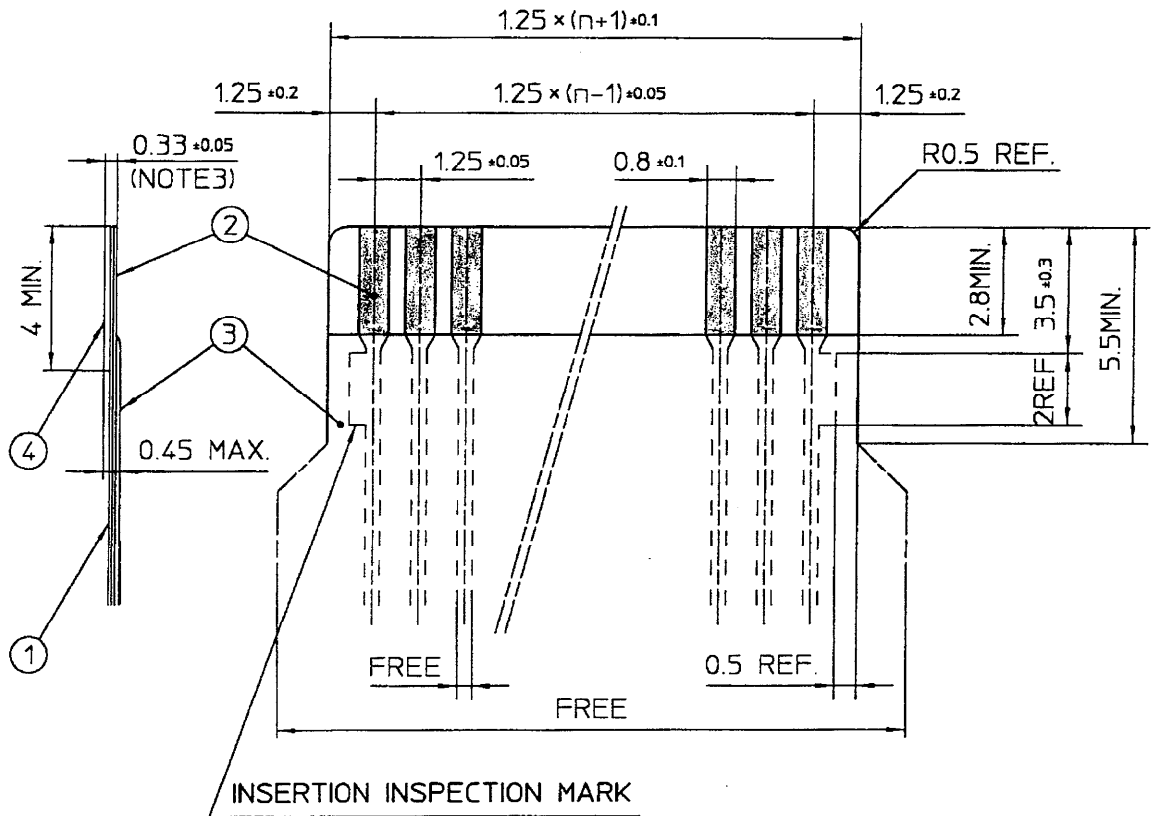
1. THIS PRODUCT IS THE CONNECTOR USED FOR FPC/FFC AND COPEES WITH AUTOMATIC MOUNTING (SMT).
2. THIS CATALOG NO. INDICATES PLASTIC TAPE PACKAGED CONNECTOR.
3. SEE PART DRAWINGS FOR DIMENSIONS E, F, G.
4. PLEASE CONSULT US IN CASE OF USING PARTS WITH \* MARK.

			SCALE	$\times$	CAT NO. TABLE FOR PLASTIC TAPE PACKAGED SURELOK	
			DIM. IN	mm	CAT. NO.	
1	'95 2-24	NO. OF CONTACTS ADDED.	DESIGNED	S.Y.	SFD__R-2STE1	
REV.	DATE	DESCRIPTION	CKD.	DRAWN	M. Ooa	DRAWING NO.
MATERIAL			CHECKED	M. Horada	JSA 92946	REV.
			APPROVED	S. Ito		1
			DATE	Aug. 16, 1994		



RECOMMENDED CABLE (FPC)


n : NO. OF CONDUCTOR



PT. NO.	PARTS NAME	MATERIAL	THICKNESS (μm)
1	BASE FILM	POLYIMIDE OR POLYESTER OR EQUAL	25
2	CONDUCTOR	COPPER FOIL (PLATING : SOLDER 1μm MIN.)	35
3	OVERLAY	POLYIMIDE OR POLYESTER OR EQUAL	—
4	SUPPORTING TAPE	POLYESTER OR POLYIMIDE OR EQUAL	188

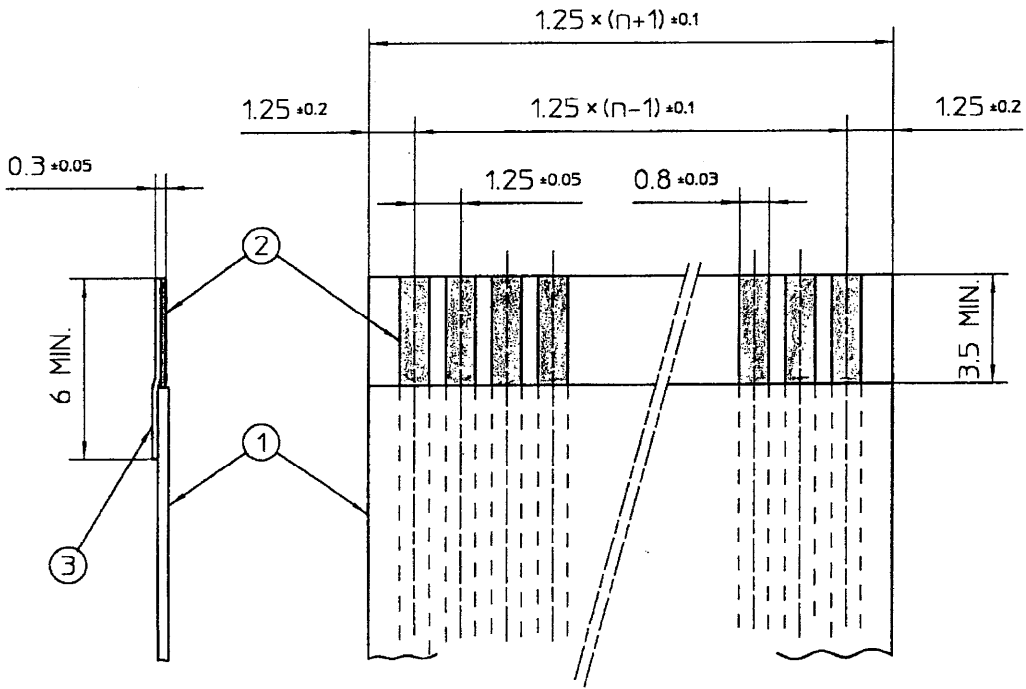
NOTES

1. NO BURR AT EACH PORTION.
2. NO PEELING IN COMMON USE.
3. TOTAL THICKNESS LIMIT OF EACH MATERIAL (INCLUDING ADHESIVE AGENT) IS SPECIFIED.

					SCALE	∕×	RECOMMENDED CABLE	
					DIM. IN	mm	CAT. NO.	
					DESIGNED		SFD__R-2/4__	
					DRAWN	M.Oba	DRAWING NO.	REV.
					CHECKED	S.Ito	JSA 91234	1
1	DEC. 3, '98	PLATING THICKNESS CHANGED. (2μm-1μm)	M.I.	HT	APPROVED	T.Kobayashi		
REV.	DATE	DESCRIPTION	DWN.	APPD.	DATE	Jul. 12, 1991		

RECOMMENDED CABLE (FFC)


n : NO. OF CONDUCTOR



PT. NO.	PARTS NAME	MATERIAL	NOTE
1	INSULATOR	FLAME RESISTING POLYESTER OR EQUAL	_____
2	CONDUCTOR	COPPER FOIL	PLATING : TIN OR SOLDER 1μm MIN.
3	SUPPORTING TAPE	FLAME RESISTING POLYESTER OR EQUAL	_____

NOTES

1. NO BURR AT EACH PORTION.
2. NO PEELING IN COMMON USE.

					SCALE	χ	RECOMMENDED CABLE	
					DIM. IN	mm	CAT. NO.	
					DESIGNED		SFD__R-2/4__	
					DRAWN	M.Oba	DRAWING NO.	REV.
					CHECKED	S.Ito	JSA 91235	1
1	DEC. 3, '98	PLATING THICKNESS CHANGED.(2μm→1μm)	M.I	H.T.	APPROVED	T.Kobayashi		
REV.	DATE	DESCRIPTION	DWN.	APPD.	DATE	Jul. 12, 1991		